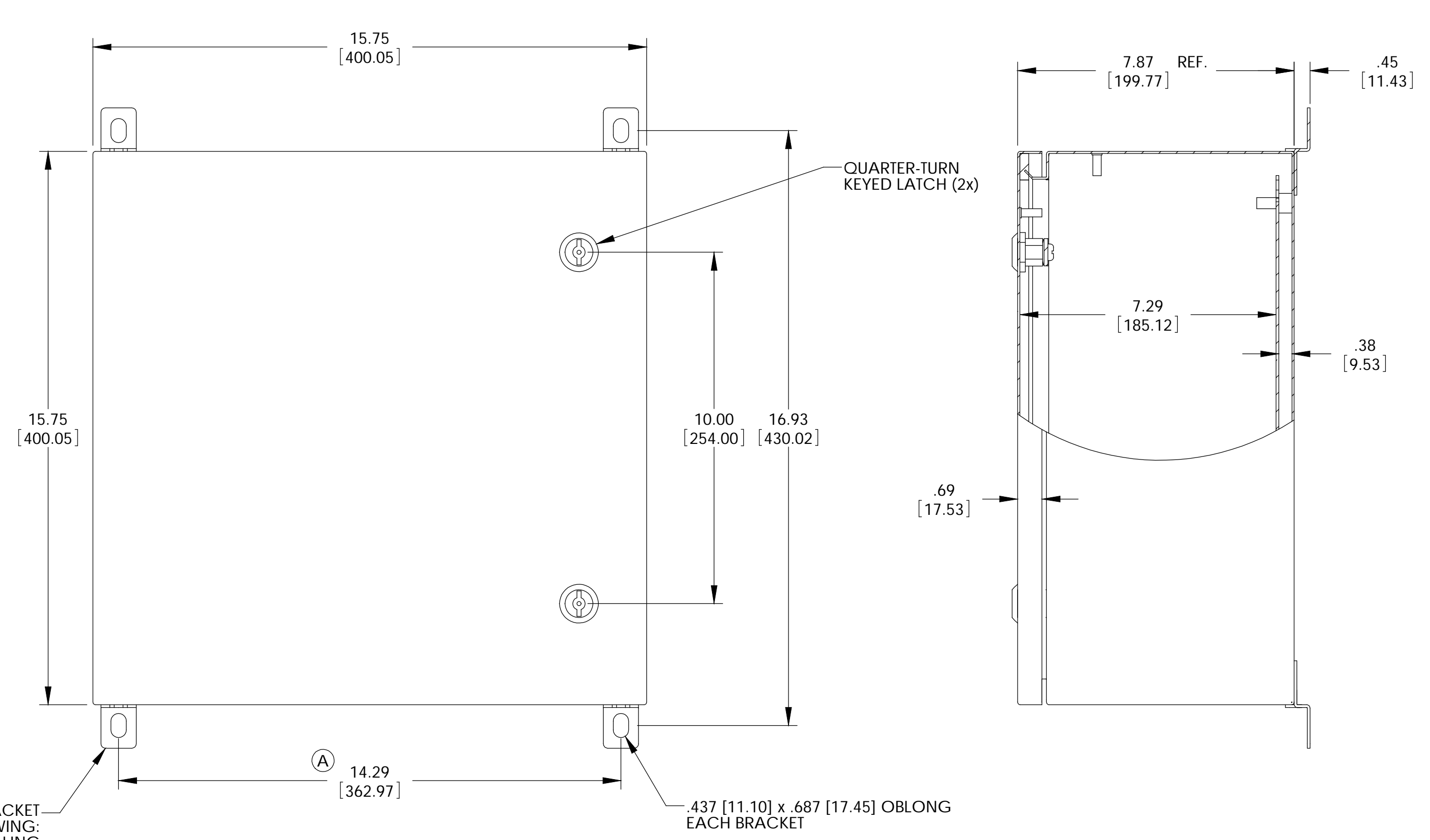


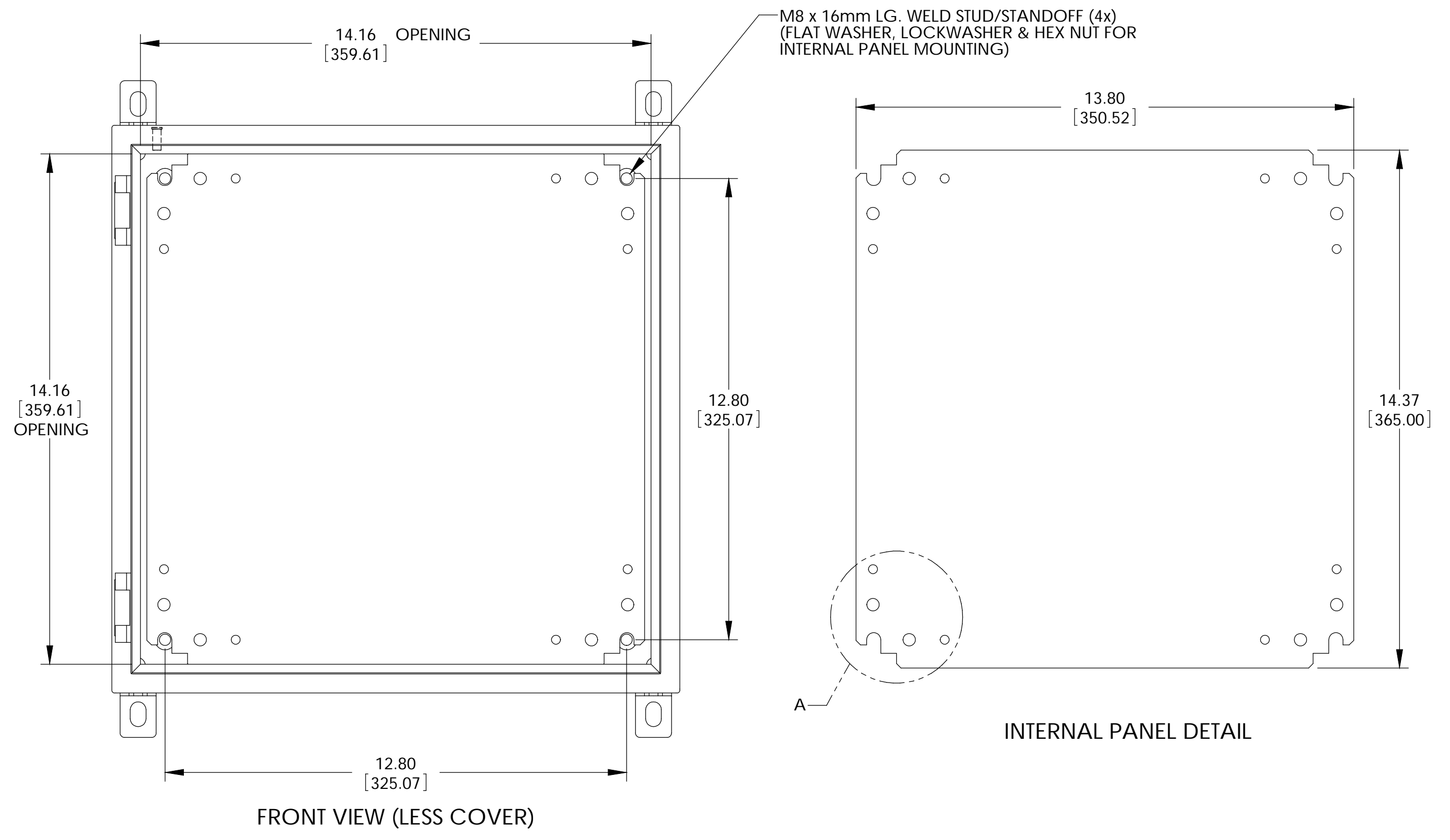
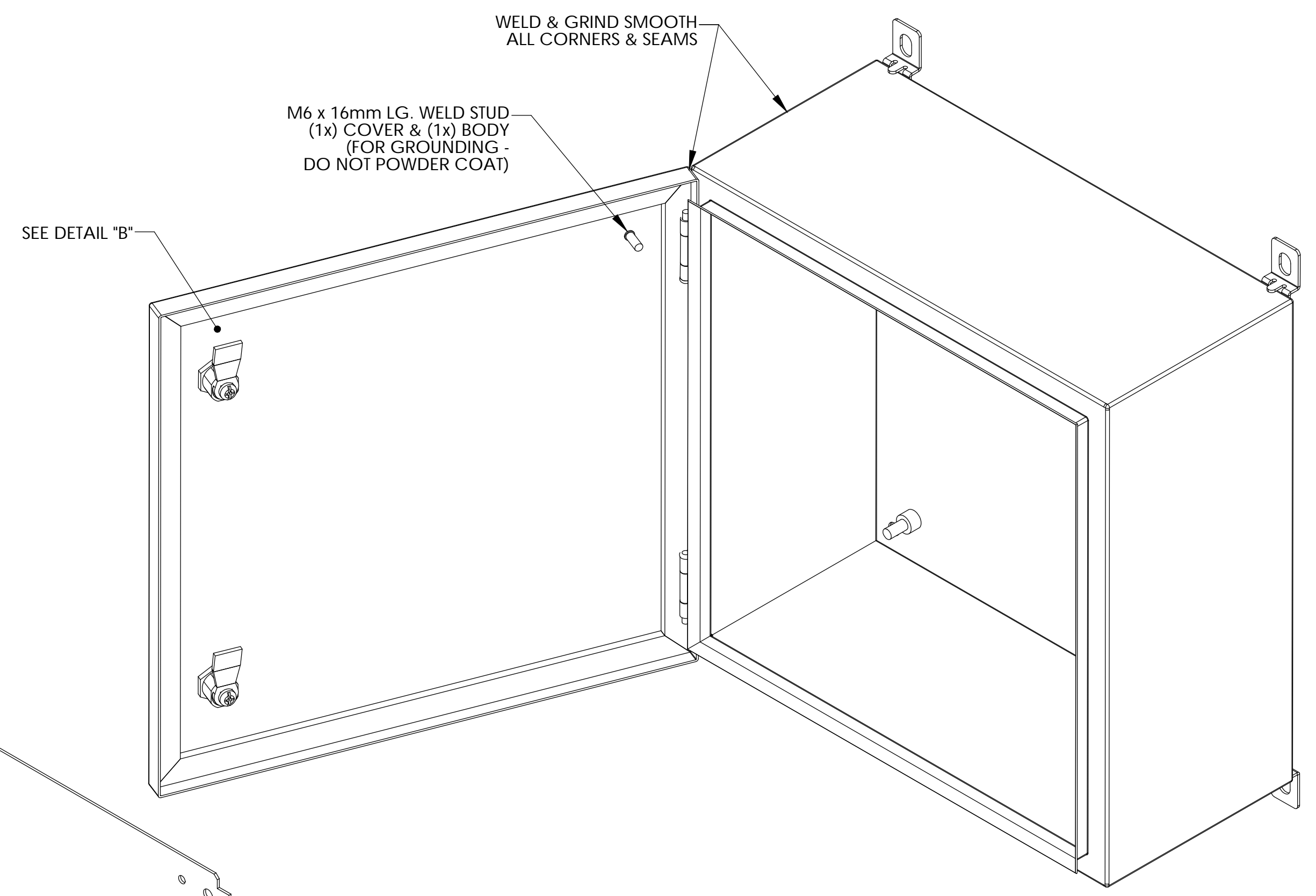
THE INFORMATION CONTAINED IN THIS DRAWING IS THE SOLE PROPERTY OF BUD INDUSTRIES INC. ANY REPRODUCTION IN PART OR WHOLE WITHOUT THE WRITTEN PERMISSION OF BUD INDUSTRIES INC. IS PROHIBITED.

DWG. NO. SNB-3737	
ISSUE	REVISIONS
(A)	PER ECN #10446 1-13-09 BT



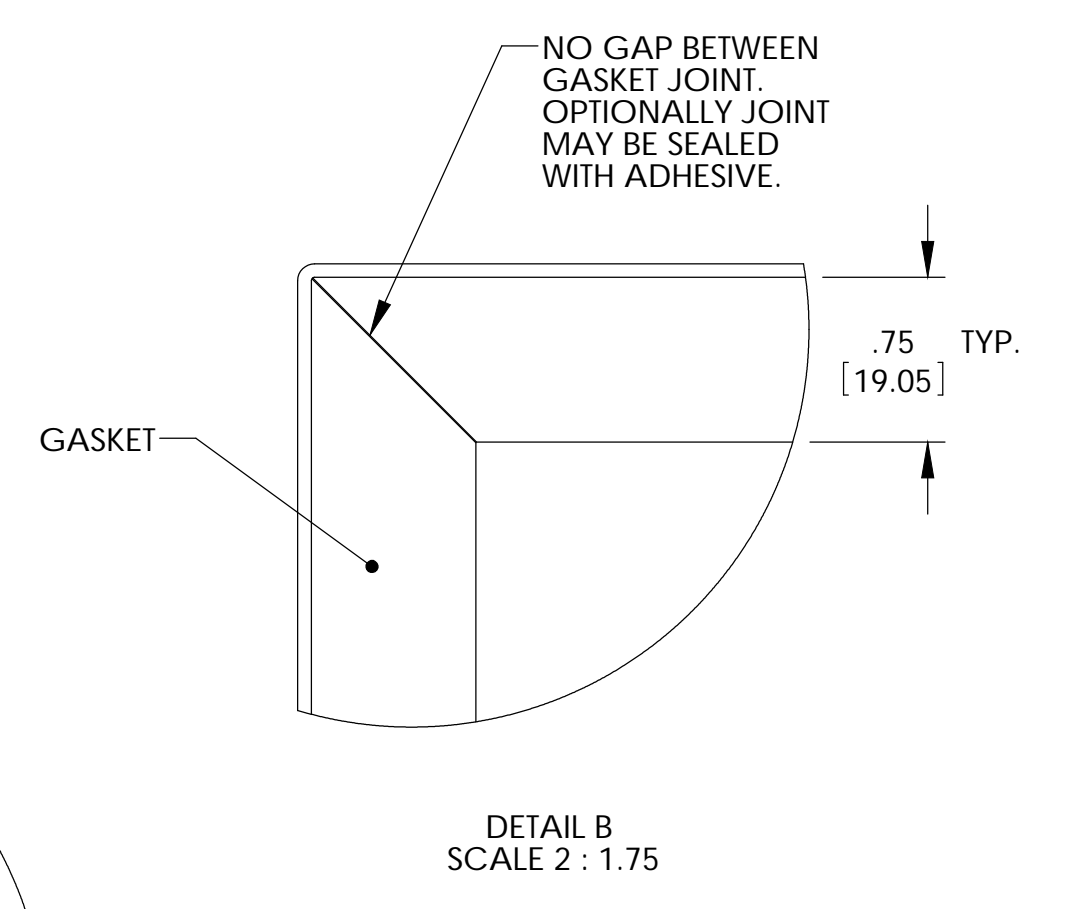
WALL MOUNTING BRACKET KIT TO CONTAIN THE FOLLOWING:
(4) BRACKETS, (4) BOLTS, (4) SEALING WASHERS, (4) FLAT WASHERS, (4) LOCKWASHERS & (4) HEX NUTS

.437 [11.10] x .687 [17.45] OBLONG EACH BRACKET

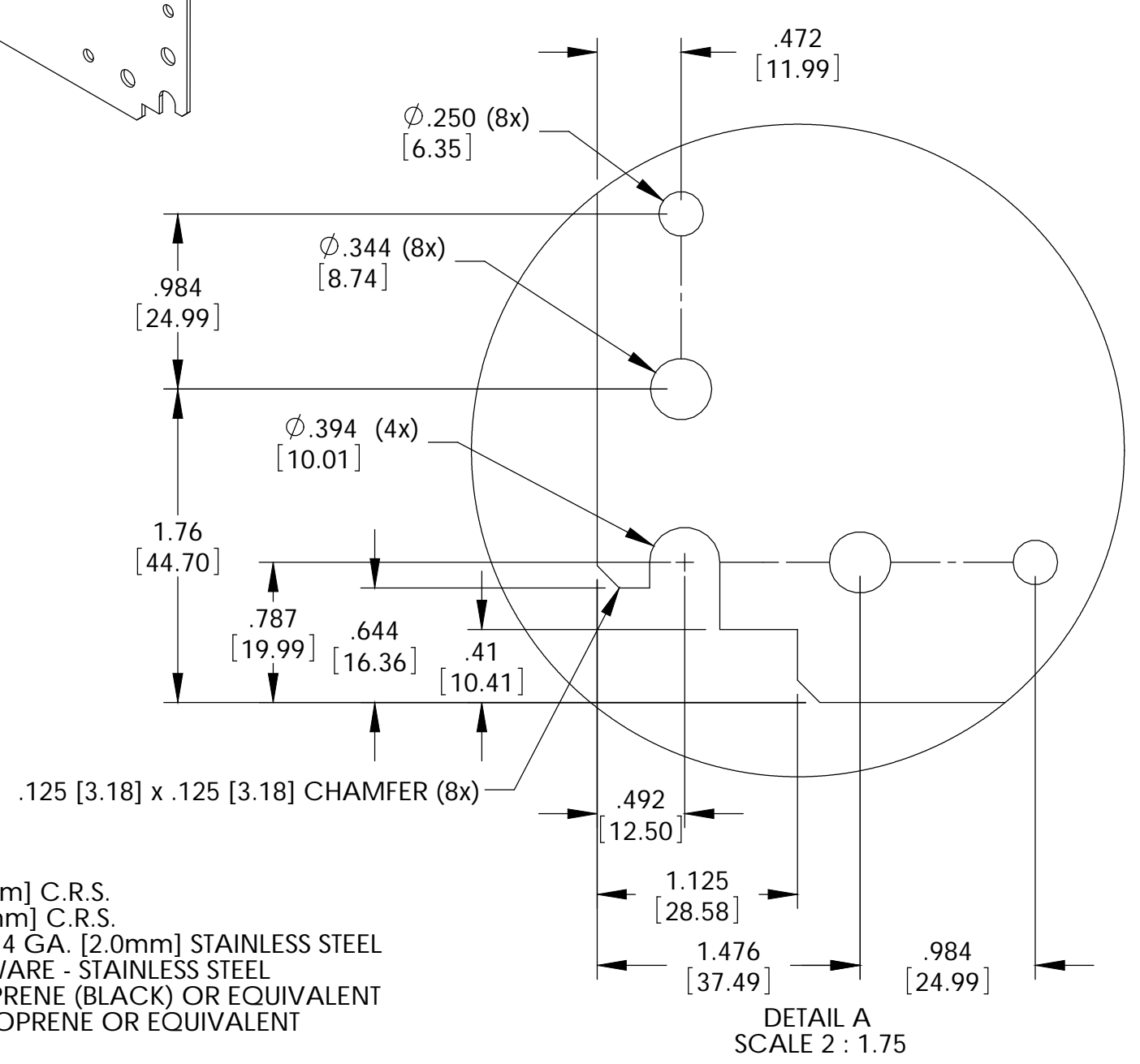


FRONT VIEW (LESS COVER)

INTERNAL PANEL DETAIL



DETAIL B SCALE 2 : 1.75



DETAIL A SCALE 2 : 1.75

MATERIAL:
 BODY & COVER - 16 GA. [1.5mm] C.R.S.
 INTERNAL PANEL - 14 GA. [2.0mm] C.R.S.
 WALL MOUNTING BRACKETS - 14 GA. [2.0mm] STAINLESS STEEL
 HINGE PINS, STRIKERS & HARDWARE - STAINLESS STEEL
 GASKET - .25 [6.35] THICK NEOPRENE (BLACK) OR EQUIVALENT
 SEALING WASHERS - BLACK NEOPRENE OR EQUIVALENT

FINISH:
 BODY & COVER - LIGHT GRAY SMOOTH POWDER COAT
 INTERNAL PANEL - ZINC CHROMATE
 WALL MOUNTING BRACKETS, HINGE PINS, STRIKERS - NATURAL

PARTS LIST		BUD INDUSTRIES INC.	
UNLESS OTHERWISE SPECIFIED ALL DIMENSIONS ARE IN INCHES (MILLIMETERS)	CAD GENERATED DRAWING DO NOT MANUALLY UPDATE	NEMA SHEET METAL BOX	
DECIMALS XX = 03	XX = 010		
MATERIAL AS NOTED	APPROVALS DATE	SCALE [DWG. NO. SNB-3737] REV. [CAD FILE] SHEET 1 OF 1	
FINISH AS NOTED	DAB 9-21-07		
DO NOT SCALE DRAWING	CHECKED		